

Instruction and Operating Manual

Valve Position Monitor LSB-3000 Series



Power-Genex Ltd.





Safety Instructions 1

These safety instructions are intended to prevent hazardous situations and/or equipment damage. These instructions indicate the level of potential hazard with the labels of “**Caution**,” “**Warning**” or “**Danger**.” They are all important notes for safety and must be followed in addition to International Standards (IEC)^{Note 1)}, and other safety regulations.

Note 1) IEC 60079-0 : 2007 EN 60079-0 : 2009
IEC 60079-1 : 2007 EN 60079-1 : 2007



Caution

Caution indicates a hazard with a low level of risk which, if not avoided, could result in minor or moderate injury.



Warning

Warning indicates a hazard with a medium level of risk which, if not avoided, could result in death or serious injury.



Danger

Danger indicates a hazard with a high level of risk which, if not avoided, will result in death or serious injury.



Warning

1. The compatibility of the product is the responsibility of the person who designs the equipment or decides its specifications.

Since the product specified here is used under various operating conditions, its compatibility with specific equipment must be decided by the person who designs the equipment or decides its specifications based on necessary analysis and test results. The expected performance and safety assurance of the equipment will be the responsibility of the person who has determined its compatibility with the product. This person should also continuously review all specifications of the product referring to its latest catalogue information, with a view to giving due consideration to any possibility of equipment failure when configuring the equipment.

2. Only personnel with appropriate training should operate machinery and equipment. The product specified here may become unsafe if handled incorrectly.

The assembly, operation and maintenance of machines or equipment including our products must be performed by an operator who is appropriately trained and experienced.

3. Do not service or attempt to remove product and machinery/equipment until safety is confirmed.

1. The inspection and maintenance of machinery/equipment should only be performed after measures to prevent falling or runaway of the driven objects have been confirmed.
2. When the product is to be removed, confirm that the safety measures as mentioned above are implemented and the power from any appropriate source is cut, and read and understand the specific product precautions of all relevant products carefully.
3. Before machinery/equipment is restarted, take measures to prevent unexpected operation and malfunction.

4. Contact POWER-GENEX beforehand and take special consideration of safety measures if the

product is to be used in any of the following conditions.

1. Conditions and environments outside of the given specifications, or use outdoors or in a place exposed to direct sunlight.
2. Installation on equipment in conjunction with atomic energy, railways, air navigation, space, shipping, vehicles, military, medical treatment, combustion and recreation, or equipment in contact with food and beverages, emergency stop circuits, clutch and brake circuits in press applications, safety equipment or other applications unsuitable for the standard specifications described in the product catalogue.
3. An application which could have negative effects on people, property, or animals requiring special safety analysis.
4. Use in an interlock circuit, which requires the provision of double interlock for possible failure by using a mechanical protective function, and periodical checks to confirm proper operation.

5. Do not open when an explosive gas and dust atmosphere may be present

6. To avoid the risks of electrostatic discharges, the user has to make sure of the absence of dangerous atmosphere before cleaning the device, or will have to clean it only with a damp cloth or antistatic products.



Safety Instructions 2



Caution

1. The product is provided for use in manufacturing industries.

The product herein described is basically provided for peaceful use in manufacturing industries. If considering using the product in other industries, consult POWER-GENEX beforehand and exchange specifications or a contract if necessary. If anything is unclear, contact your nearest sales branch.



Precautions 1

Be sure to read before handling.

Handling



Caution

1. Avoid excessive vibration or impact to the positioner body and any excessive force to the armature, as these actions may cause damage to the product. Handle carefully while transporting and operating.
2. If being used in a place where vibration occurs, using a binding band is recommended to prevent broken wires because of the vibration.
3. When exposed to possible moisture invasion, please take the necessary measures. For example, if the positioner is left onsite for long periods, a plug should be put in the piping port and a body cover unit fitted to avoid water penetration.

Take measures to avoid dew condensation inside the positioner if exposed to high temperature and humidity. Take enough measures against condensation especially when packing for export.

4. Keep magnetic field off the positioner, as this affects its characteristics.

Operating Environment



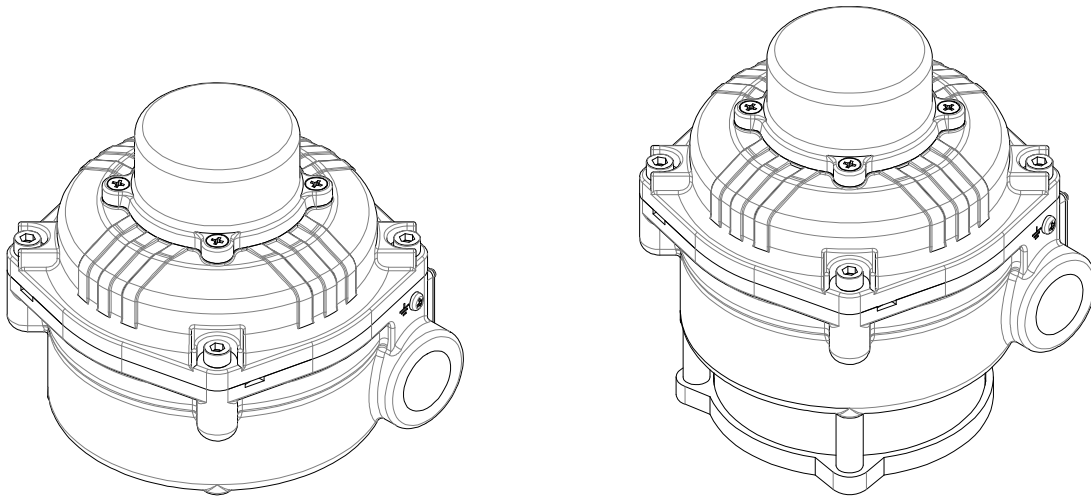
Caution

1. Do not operate in locations with an atmosphere of corrosive gases, chemicals, sea water, or where these substances will adhere to the regulator.
2. Do not operate out of the indicated operation temperature range as this may cause damage to electronic parts and seal materials to deteriorate.
3. Do not operate in locations where excessive vibration or impact occurs.

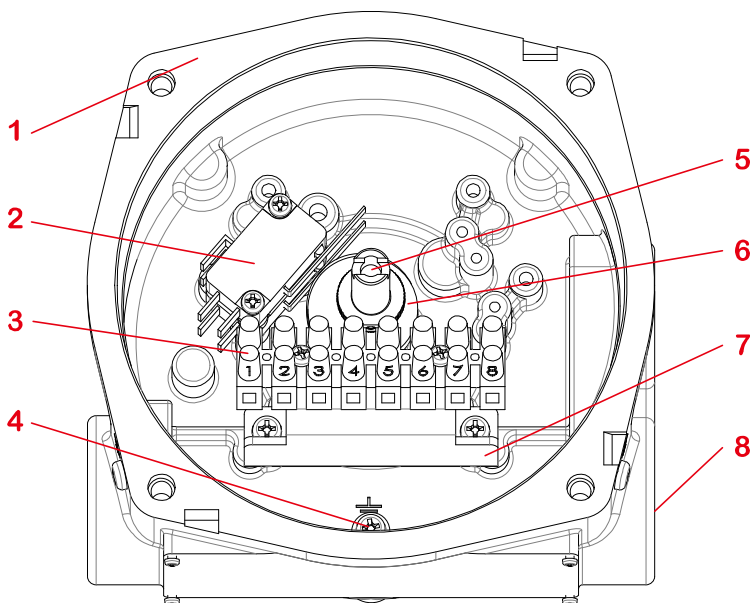
2. Overview of Structure

This product consists of the following parts optionally.

- SPDT limit switches / DPDT limit switches / Proximity or magnetic sensors
- Potentiometer for position feedback
- Bottom visual indicator



Descriptions of internal parts



No.	Description
1	Main body
2	Switches or sensors
3	Terminal
4	Ground
5	Feedback shaft
6	Cam
7	Terminal bracket
8	Cable entry



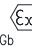

3. Specifications

	LSB – 30xx	LSB – 31xx
Explosion proof / protection class	Ex d IIC T* / IP 66, 67, 68	
	Ambient Temperature	T6 : -40 ~ +75 °C
		T5 : -40 ~ +90 °C T cable: +95°C
		T4 : -40 ~ +110 °C T cable: +115°C
Switches / Sensor **	Mechanical switches	SPDT (standard or Honeywell) DPDT (OMRON or ITW-switch)
	Proximity sensors	NJ2-V3-N NBB3-V3-E2
		NJ2-12GK-SN NBB3-V3-Z4
	NJ4-12GK-SN PSN17-5D PNP or NPN	
Hermetically-sealed magnetic sensors	MS-20 MS-100	
GO switch	Model 35 (made by Topworx)	
Operating Temperature	-40 ~ +100°C (-40 ~ +212°F) **	
Electrical connections	PT 1/2 , NPT 1/2, M20 x 1.5, PT 3/4, NPT 3/4	NPT 3/4
Body material / painting	Aluminum diecast / powder coating	Stainless steel 316
Weight	2 Kg	4 kg

* See ambient temperature

** See specifications of switches and sensors

4. Descriptions on Nameplate

VALVE POSITION MONITOR	
Model No. : LSB-3xxx-xxxx-xx	IECEX KTL 14.xxxx  14-KB2BO-xxxx INERIS 14ATEX0060X
Explosion-proof : Ex d IIC T6/T5/T4	Ex d IIC T* Gb Ex d IIC T* Gb Ex d IIC T* Gb  0080 
Voltage ratings :	
16A 1/2HP 125/250VAC	
0.6A /125VDC 0.3A 250VDC	
Tcable : 95°C for T5 , 115°C for T4	
Electrical Connections : PF 3/4	
Operating Temp. : -40 ~ +75°C	
Serial No. 0000000 Dec 2014	
<p>WARNING</p> <p>1. POTENTIAL ELECTROSTATIC CHARGING HAZARD SEE INSTRUCTION. 2. DO NOT OPEN WHEN AN EXPLOSIVE GAS ATMOSPHERE MAY PRESENT 3. SEE INSTRUCTION</p>	
 POWER-GENEX LTD. INCHEON, KOREA WWW.POWERGENEX.COM	

- .. MODEL NUMBER: Model number and options are described.
- .. Switch Type: Mechanical switches / Proximity sensors / Magnetic sensors / GO switch
- .. Voltage Ratings: Voltage ratings of limit switches or proximity sensors
- .. Electrical Connections
- .. Operating Temp.
- .. Serial No: A serial number and a manufacture date for tracking
- .. Certificate No
INERIS 14ATEX 0060X / IECEX KTL 14.0013 / 14-KB2BO-0080
- .. Code: Ex d IIC T* Gb (T6 : -40 to +75°C / T5 : -40 to +95°C / T5 : -40 to +115°C)

5. Part Numbering System (order code)

		LSB	—	3	x	x	x	—	x	x	x	x	x	—	x	x	
Body Material	Aluminum die-cast	0															
	Stainless steel 316	1															
Switches / Sensors *	2 x SPDT	0															
	Mechanical switches	4 x SPDT	2														
		2 x DPDT / OMRON or ITW	3														
		2 x NJ2-V3-N / P&F	4														
	Proximity sensors	4 x NJ2-V3-N / P&F	5														
		2 x NJ2-12GK-SN / P&F	6														
		2 x NJ4-12GK-SN / P&F	6														
		2 x NBB3-V3-Z4	7														
		2 x NBB3-V3-E3	9														
		2 x PSN17-5D PNP or NPN	8														
	Magnet proximity sensors	2 x MS-20	C														
		2 x MS-100	D														
	GO switches	2 x GO switches	P														
2 x SPDT (Silver)		J															
Honeywell switches	4 x SPDT (Silver)	K															
	2 x SPDT (Gold)	L															
	4 x SPDT (Gold)	M															
	None	0															
Position Transmitter	4 ~ 20mA output signal	P															
Explosion proof	KC – Ex d IIC								K								
	IECEX / ATEX Ex d IIC								I								
	KC – Ex ia IIC								A								
Ingress Protection	IP66											6					
IP code	IP67												7				
	IP68												8				
Beacon / Indicator	Beacon indicator (90° - open / close)															A	
	Bottom indicator (90° - open / close)															B	
	Beacon & Bottom indicator (90° - open / close)															C	
	Other flow direction indicator (L or T port) **															D	
Electrical Connections	PF 3/4															A	
	NPT 3/4 (LSB-31xx only NPT 3/4)																B
	PF 1/2																C
	NPT 1/2																D
	M20																E
	M25																F
Numbers of Electrical Connections	2 pcs																2
	3 pcs																3

Feedback Shaft	Rotary type	NAMUR shaft (direct mounting)	I
		Fork lever	N
		Stroke 10 ~ 40mm	F
	Linear type	Stroke 10 ~ 80mm	A
		Stroke 10 ~ 150mm	B
		Stroke 10 ~ 200mm	C
Mounting Bracket	None		D
	30 x 80 x 20(H) - VDI / VDE3845 (IEC60534-6-2)		N
	30 x 80 x 30(H) - VDI / VDE3845 (IEC60534-6-2)		1
	30 x 130 x 30(H) - VDI / VDE3845 (IEC60534-6-2)		2
	30 x 130 x 50(H) - VDI / VDE3845 (IEC60534-6-2)		3
	Multi-size Bracket		4
			M

* Other brand / model switches / sensors on request

** Other flow direction indicators on request

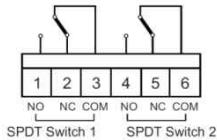
6. Specifications of Switches and Sensors

6.1 Mechanical Switches

6.1.1 SPDT, SZM-V16-2FA-61 (STD)



< SPDT Mechanical Switch >



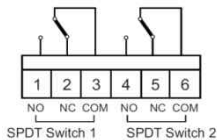
< Wiring >

Type		Non-inductive load		Inductive load	
		Resistive	Lamp	Inductive	Motor
Rating	250VAC	16A	2A	10A	3A
	8VDC	16A	4A	10A	6A
	30VDC	10A	4A	10A	4A
	125VDC	0.6A	0.1A	0.6A	0.1A
	250VDC	0.3A	0.05A	0.3A	0.05A
Operating Temperature		-30 ~ +105 °C			

6.1.2 SPDT, V7-1C17E9-022 (Honeywell - Gold)



< SPDT Mechanical Switch >



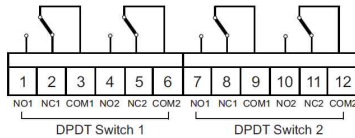
< Wiring >

Type		Resistive load / Inductive load
Rating	125VAC	15.1A 1/2HP
	250VAC	15.1A 1/2HP
	277VAC	15.1A 1/2HP
	125VDC	0.5A
	250VDC	0.25A
Operating Temperature		-40 ~ +82 °C

6.1.3 DPDT, Licon-22 (ITW)



< DPDT Mechanical Switch >



< Wiring >

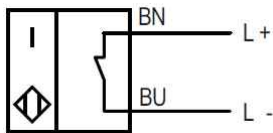
Type		Resistive load	Inductive load
Rating	125VAC	10A 1/2HP	10A 1/2HP
	250VAC	10A 3/4HP	10A 3/4HP
	28VDC	10A	7A
Operating Temperature		-30 ~ +80 °C	

6.2 Proximity Sensors

6.2.1 NJ2-V3-N (P&F)



< Proximity Switch >



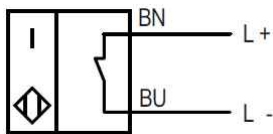
< Wiring >

General Specifications Switching element function Rated operating distance Installation Output polarity Assured operating distance	NAMUR NC 2mm embeddable NAMUR 0 ~ 1.62 mm
Nominal Ratings Nominal voltage Switching frequency Hysteresis Current consumption Measuring plate not detected Measuring plate detected	8.2 VDC 0 ~ 1000 Hz 0.01 ~ 0.1 mm > 3mA < 1mA
Mechanical Specifications Connection type Core cross-section Housing material Sensing face Protection degree	Cable PCV, 130 mm 0.14 mm PBT PBT IP67
Operating Temperature	-25 ~ +100 °C

6.2.2 NJ2-12GK-SN (P&F)



< Proximity Switch >

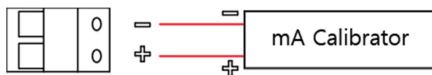
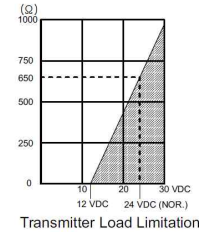


< Wiring >

General Specifications Switching element function Rated operating distance Installation Output polarity Assured operating distance	NAMUR NC 2mm flush Safety Function 0 ~ 1.62 mm
Nominal Ratings Nominal voltage Switching frequency Hysteresis Current consumption Measuring plate not detected Measuring plate detected	8 VDC 0 ~ 2000 Hz 3% > 3mA < 1mA
Mechanical Specifications Connection type Core cross-section Housing material Sensing face Protection degree	Cable PCV, 2 m 0.34 mm PP PP IP68
Operating Temperature	-40 ~ +100 °C

7. Specifications of Position Transmitter

General Specifications	
Current Output Signal	4 ~ 20mA , 2-wire
Power Supply Range	12 ~ 30VDC (24VDC recommendable)
Span Adjustable Angle	0 ~ 120°
Nominal Ratings	
Linearity	Within ± 1.0% F.S.
Repeatability	Within ± 0.25% F.S.
Hysteresis	Within ± 1.0% F.S.



<with mA calibrator>



<with mA tester>

8. Electrical Connections



- ① Be sure to supply the rated voltage and current stated on this manual. Otherwise, it may cause a serious damage or malfunctions.
- ② Check polarity of + and - exactly and connect wires.
- ③ When it is necessary to open the cover at a humid place, more attention is required. It may cause a serious damage or malfunctions.

To use as Ex d IIC T*

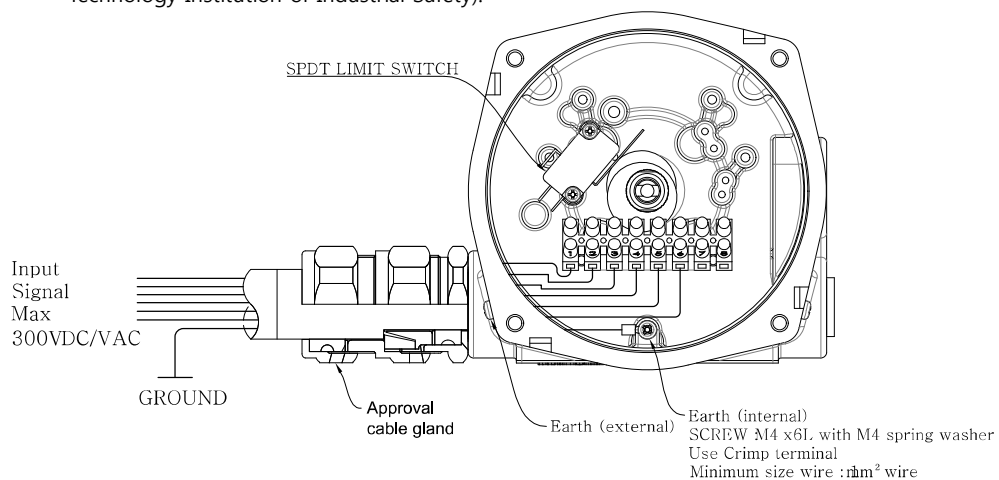
A) Pressure-proof packing.

As shown below, use "Explosion proof cable gland"

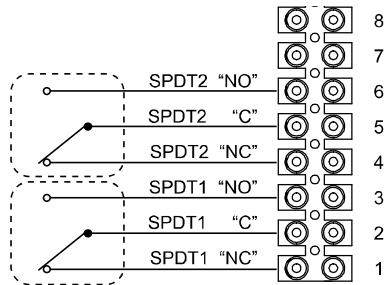
B) Metal Piping.

Attach the sealant fitting bracket near the cable port.

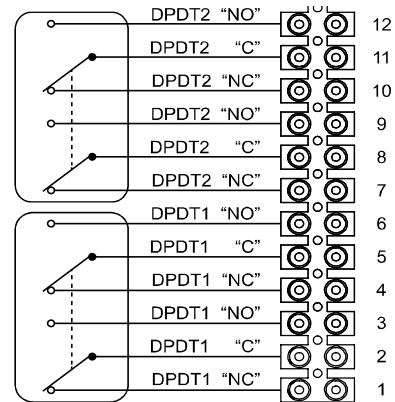
(For details, refer to "The guideline on electric equipment explosion proof" published by the Technology Institution of Industrial Safety).



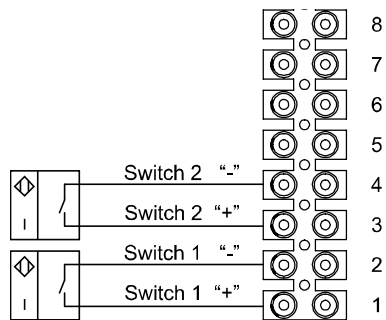
• 2 x SPDT limit switch



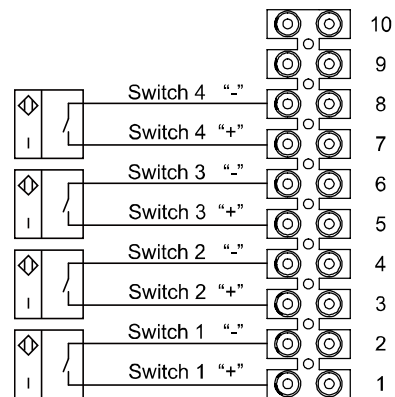
• 2 x DPDT limit switch



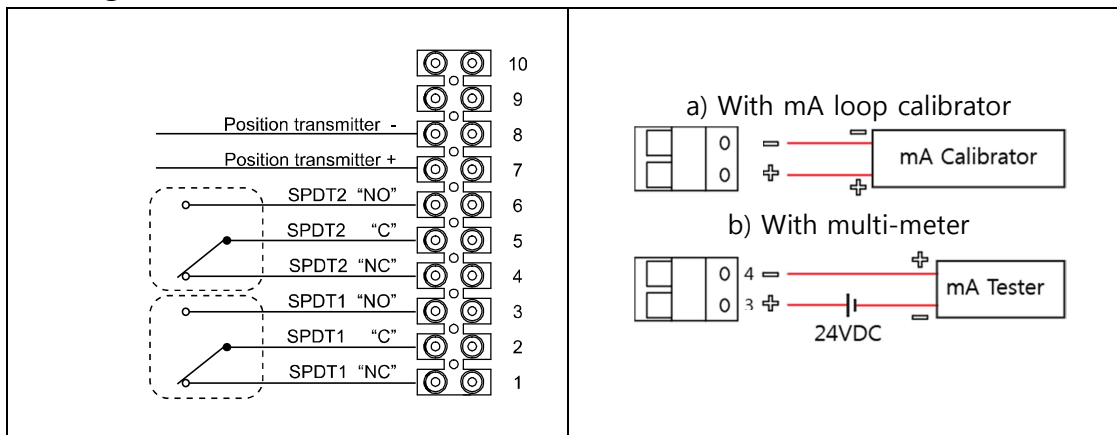
• 2 x P&F NJ2-V3-N



• 4 x P&F NJ2-V3-N



Wiring of Position Transmitter



<2 x SPDT limit switch + Position transmitter>



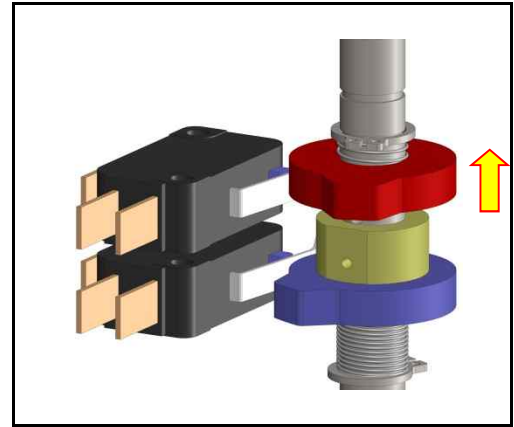
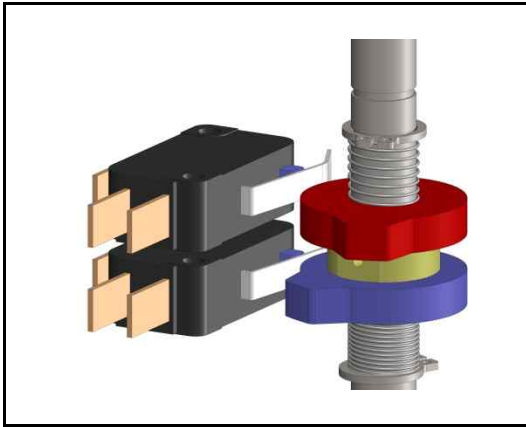
- ① It is necessary to set Zero and Span of position transmitter manually.
- ② The power supply of 12 – 30VDC should be supplied.



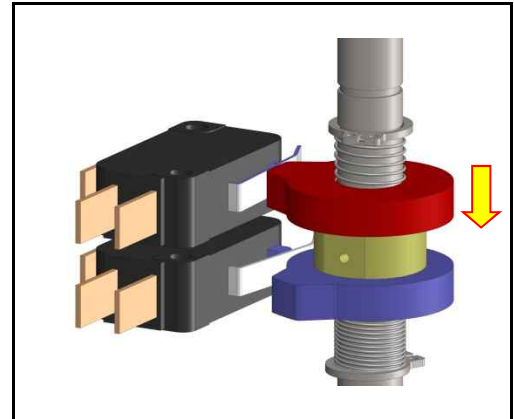
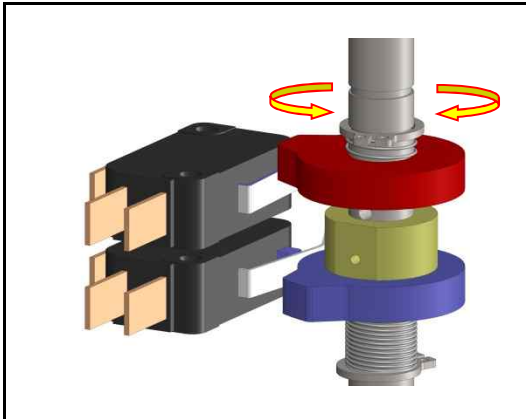
- Install the LSB-7 properly before setting the position transmitter.
 - Check the proper position of the RA/DA switch before setting.
1. Turn the Zero screw until the output signal reaches 4mA.

- - 2. Turn the Span screw until the output signal reaches 20mA.
 - 3. Repeat the above procedure until the output signals reach 4mA and 20mA.
 - 4. Operate the valve and check if the output signals are transmitted properly.

9. Setting of Cams and Switches



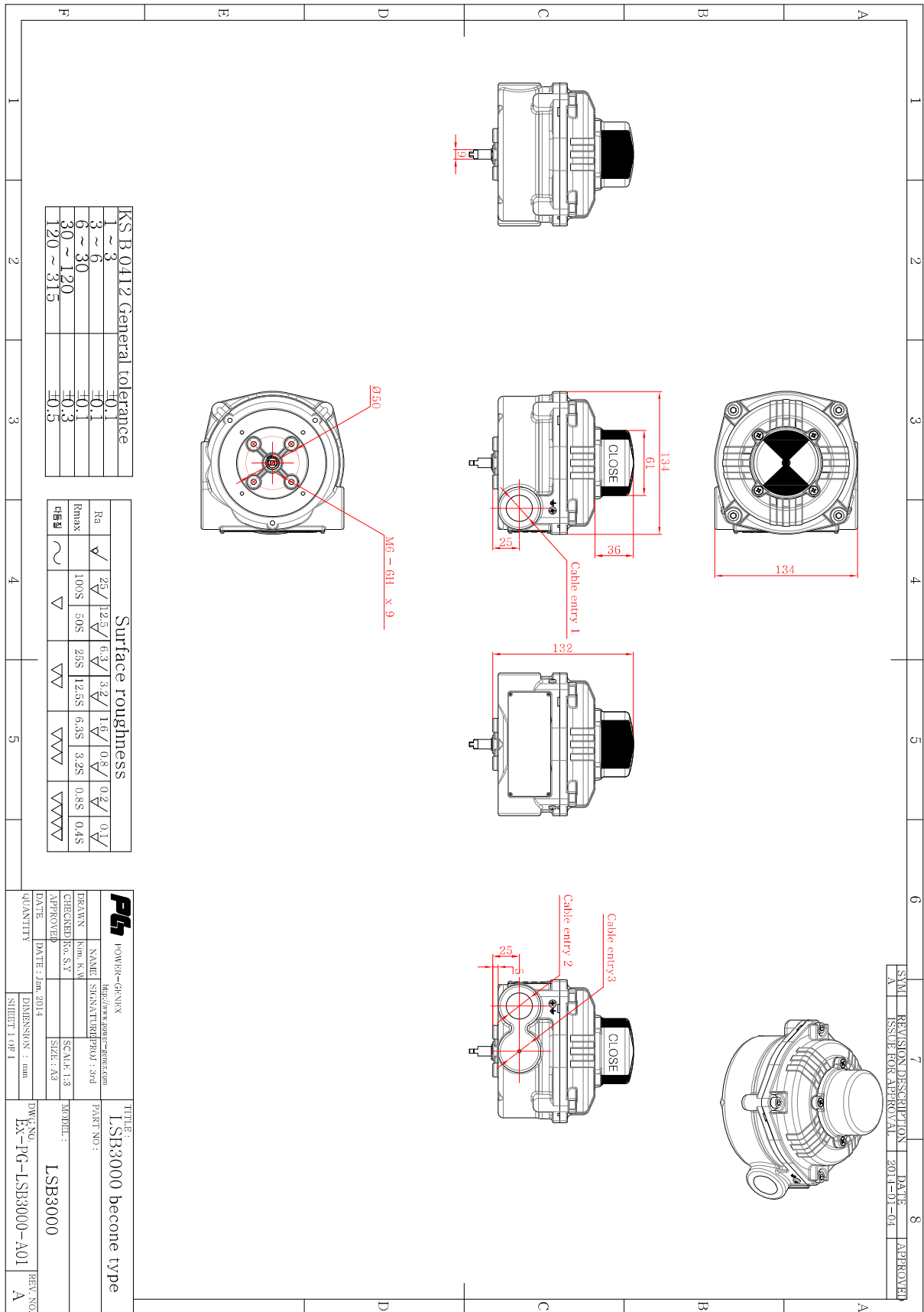
a) Push up the red cam if it is necessary to set the position of the red cam.



b) Turn the red cam until it touches the limit switch. And put down and fix it with a wrench bolt.

c) Do the same procedure for setting of the blue cam. But push it down to move.

10. Dimensions



Warranty

1. The warranty period of the product is 1.5 years after the product is shipped from Power-Genex in Korea.
2. For any failure or damage reported within the warranty period which is clearly our responsibility, a replacement product or necessary parts will be provided. This limited warranty applies only to our product independently, and not to any other damage incurred due to the failure of the product.
3. If a problem happens with the following reasons, please note that the reasonable repairing costs will be charged even during a warranty period.
 - In case that customers retro-fit the products improperly without any instructions from Power-Genex
 - In case that the products are damaged by a bad delivery, storage or handling beyond design conditions
 - In case that the products are used beyond specifications
 - In case that the products are damaged by an improper installation
 - In case that the products are damaged by fire, earthquake, storm, flood, thunder, lighting, other natural disasters, riot, war, exposure to radioactivity
4. If maintenance is required, please contact distributors or Power-Genex directly. A proper and satisfactory customer service will be provided.



Power-Genex Ltd.

99, Eunbong-ro Namdong-gu, Incheon 405-849 Korea

Tel : +82-32-812-6644

Fax : +82-32-812-6645

Website : <http://www.powergenex.com>

E-mail : sales@powergenex.com

Subject to change without prior notice