

Instruction and Operating Manual


Solenoid Valve ESV-3 Series



Power-Genex Ltd.

1. Introduction

1.1 General Information

This instruction and operating manual contains important notices the user should observe for a personal safety as well as for prevention against damage to property. Notices concerning a personal safety are highlighted by a safety alert symbol (.

1.2 General Safety Instructions

This product was delivered out from the factory without any safety problems after a strict quality management process. In order to maintain this status and ensure a safe operation of this product, please be sure to read all safety instructions carefully described in this manual and observe safety information and symbols without exception.

1.3 Correct Usage

- ① This product can be used only for purposes specified in these instructions. If they are not definitely stated in these instructions, the user is fully responsible for all changes and retrofits to this product.
- ② This product is the electrostatic sensitive device that may be seriously damaged by voltages undetectable to a human. These kinds of voltages occur as soon as a electronic component or an assembly is touched by a person who is not grounded against a static electricity. Damage to a electronic component as a result of overvoltage cannot usually be detected immediately. It may become apparent after a long period of operation. Therefore, please make sure to avoid electrostatic charge.

1.4 Range and Responsibilities of Personnel

- ① Qualified personnel should be trained, instructed or authorized in operating and maintaining products and systems according to the safety regulations for electrical circuits, high voltages and hazardous atmosphere.
- ② For explosion proof products, they should be trained, instructed or authorized in carrying out work on electrical circuits for hazardous systems.
- ③ They should be trained or instructed in maintenance and use of proper safety equipment according to the safety instructions.
- ④ They should have a good experience to identify risks and avoid potential hazards when working with these products and systems.

1.5 Transport and Storage

Make sure that damages during delivery are prevented through proper packaging.

Products and replacement parts should be returned in their original packaging. If the original packaging is no longer available, please ensure that they should be packaged to provide sufficient protection against transport.


2. Specifications

ESV-3	
Operating Air pressure	1.5 ~ 10 bar
Supply Air Pressure (Max.)	15 bar
Operating Voltage : Current	AC 220V : 17mA AC 110V : 55mA DC 24V : 138mA
Voltage Tolerance	±10%
Explosion proof class	Exd IIC T6 (KC-certified)
Operating Ambient Temp.	-20 ~ +60°C
Flow Capacity(Cv)	145 L/min at 6 bar supply air
Mounting Configuration	Screw interface
Pneumatic Connections	PT 1/4 or NPT 1/4
Electrical Connections	G 1/2, NPT 1/2 or M20
Coil Insulation Grade	Class F or H
Duty Cycle	100%
Material (body)	Aluminum 316SS
Weight	0.5Kg 1Kg


3. Part Numbering System (order code)

SOLENOID VALVE

Model No.	: ESV-S -A220P
Explosion-proof	: Exd IIC T6
Supply air (Max.)	: 15 kgf/cm ²
Rating	: AC 220V
Ambient Temp.	: -20 ~ +70°C
Serial No.	: xxxxxxxx



POWER-GENEX
www.power-genex.com
Made in Korea



Model No.	ESV - 3	x	x	x
Material	Aluminum 316SS	.	S	
Operating Voltage	AC 220 AC 110 DC 24		A220 A110 D24	
Connections (Pneumatic - Electrical)	Rc 1/4 - G1/2 NPT 1/4 - NPT 1/2			P N

4. Manual Switch


The ESV solenoid valve can be operated by this switch manually while air is supplied.

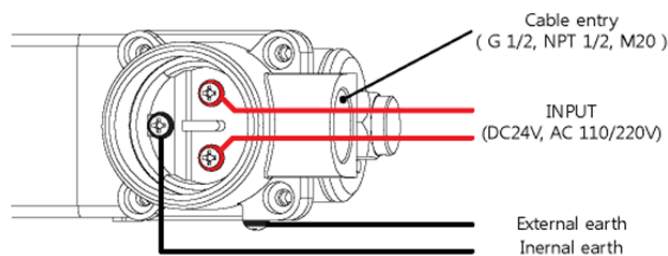
- Initial setting "0" : the ESV solenoid valve works with a power voltage.
- Manual operation "1" : Port 4 is open regardless of a power voltage.

When power is off and the manual switch is positioned to "0", Port 2 becomes open. When the manual switch is positioned to "1", Port 4 becomes open.

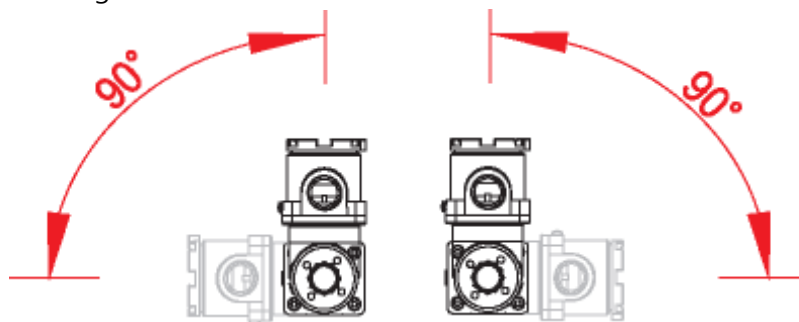
 Note that the manual switch is not active when power is off.

5. Electrical Connections

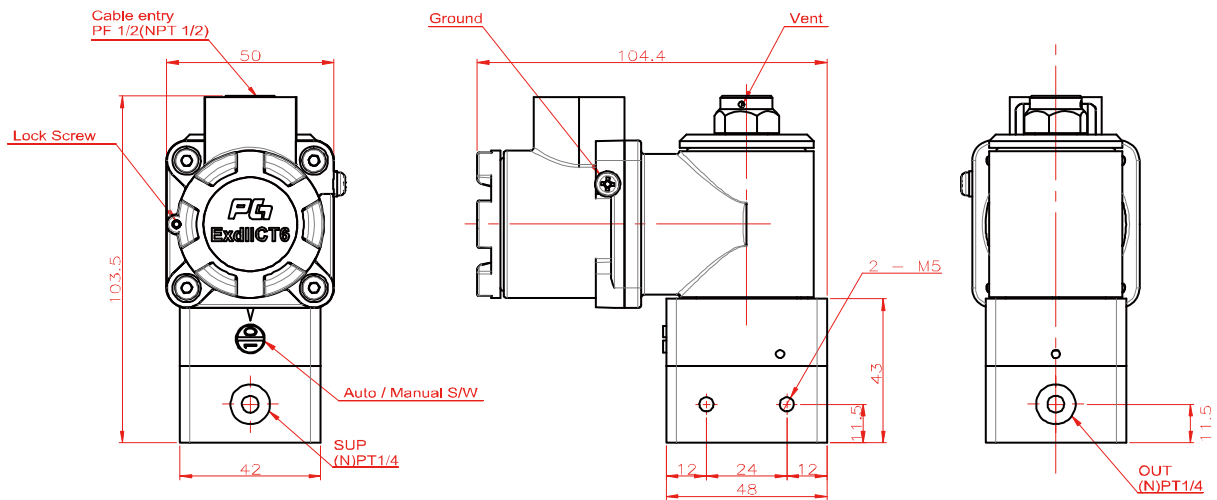
- 
- ① Supply the rated voltage and current stated on this manual. Otherwise, it may cause a serious damage or malfunctions.
 - ② Observe all explosion proof regulations required in the area..
 - ③ Earth internally and externally before using.



The ESV solenoid valve head can be rotated by 90° to the right or to the left for an optimal mounting as shown below.



6. Dimensions



Power-Genex Ltd.

99, Eunbong-ro, Namdong-gu, Incheon 405-849 Korea

Tel : +82-32-812-6644

Fax : +82-32-812-6645

Website : <http://www.powergenex.com>

E-mail : sales@powergenex.com

Subject to change without prior notice