



FR Series *Filter Regulator*



All innovation
on driving your valve automation

www.powergenex.com





Valve air unit essential to provide clean and dry supply air to valve positioners, solenoid valves and pneumatic actuators

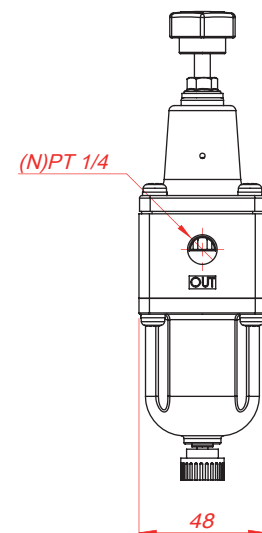
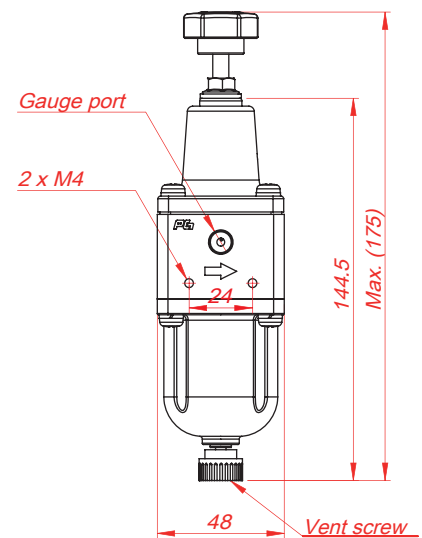
Features

- ▶ Rugged aluminum die-cast housing
- ▶ Optional stainless steel 316 housing
- ▶ Stable setting pressure
- ▶ High capacity with 5 micron filter
- ▶ Self-relief function to balance output and setting pressures
- ▶ High flow capacity

Specifications

Model	FR-10	FR-11
Port Size	PT(Rc) 1/4 or NPT 1/4	NPT 1/4
Fluid	Air	
Output Pressure Range	0 - 4 bar (60 psi) / 0 - 8 bar (120 psi)	
Max. Supply Pressure	15 bar (225 psi)	
Operating and Fluid Temperature	-20°C to +70°C	
Supply Air	Filtered compressed, dry and non oiled air (up to 5 micron)	
Gauge Port Size	PT(Rc) 1/8	
Filtration	5 micron	
Housing Material	Aluminum die-cast	Stainless steel 316
Pressure Gauge Material	Stainless steel	
Weight	0.5 kg	1 kg

Dimensions



How to Order

FR Body Material - Port Size Output Pressure Range

Description	Code
Body Material	10 : Aluminum die-cast 11 : Stainless steel 316
Port Size	R : PT(Rc) 1/4 N : NPT 1/4
Output Pressure Range	1 : 0 - 4 bar (60 psi) 2 : 0 - 8 bar (120 psi)



Valve air unit essential to provide clean and dry supply air to valve positioners, solenoid valves and pneumatic actuators

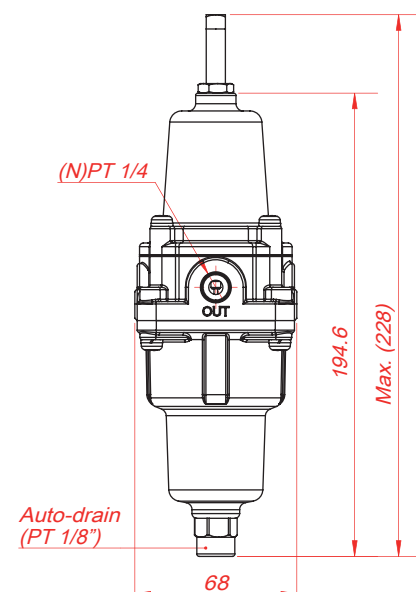
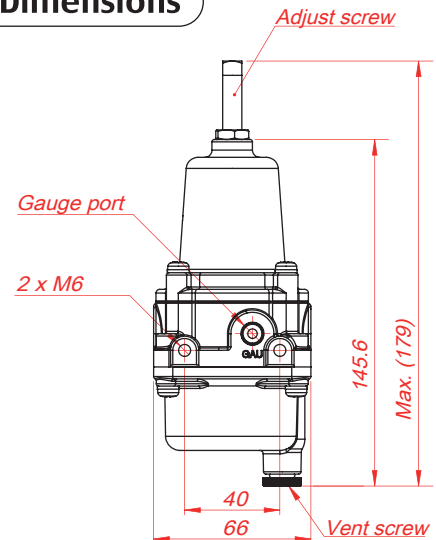
Features

- ▶ Rugged aluminum die-cast or stainless steel 316 housing
- ▶ Excellent stability and repeatability
- ▶ Outstanding sensitivity with precise setting
- ▶ High capacity with 5 micron filter
- ▶ Self-relief function to balance output and setting pressures
- ▶ High flow capacity
- ▶ Optional auto-drain (float type)

Specifications

Model	FR-20	FR-21
Port Size	PT(Rc) 1/4 or NPT 1/4	NPT 1/4
Fluid	Air	
Output Pressure Range	0 - 4 bar (60 psi) / 0 - 8 bar (120 psi)	
Max. Supply Pressure	15 bar (225 psi)	
Operating and Fluid Temperature	-20 °C to +70 °C	
Supply Air	Filtered compressed, dry and non oiled air (up to 5 micron)	
Gauge Port Size	PT(Rc) 1/8	
Filtration	5 micron	
Housing Material	Aluminum die-cast	Stainless steel 316
Pressure Gauge Material	Stainless steel	
Weight	0.65 kg	1.4 kg

Dimensions



How to Order

FR Body Material - Port Size Output Pressure Range Operating Temp. - Options

Description	Code	
Body Material	20 : Aluminum die-cast 21 : Stainless steel 316	
Port Size	R : PT(Rc) 1/4	N : NPT 1/4
Output Pressure Range	1 : 0 - 4 bar (60 psi)	2 : 0 - 8 bar (120 psi)
Operating Temperature	0 : -20 - +70 °C 2 : -40 - +80 °C	1 : -20 - +120 °C
Options	M : Manual drain	A : Auto drain



Valve air unit essential to provide clean and dry supply air to valve positioners, solenoid valves and pneumatic actuators

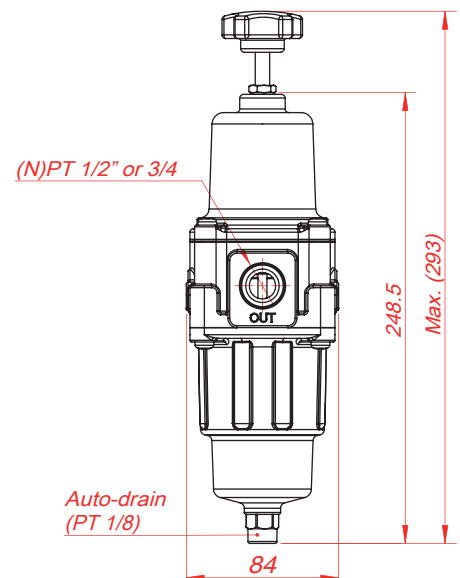
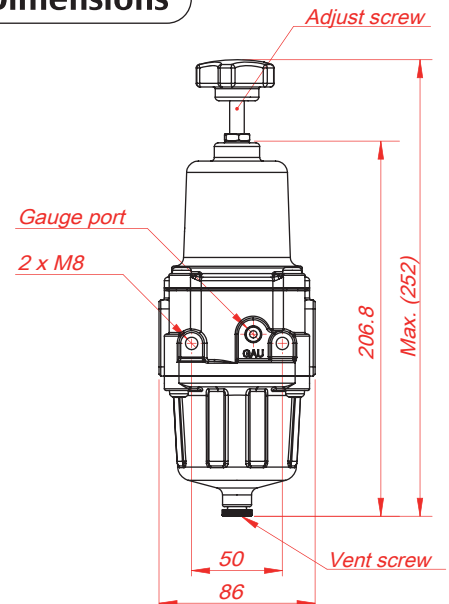
Features

- ▶ Rugged aluminum die-cast or stainless steel 316 housing
- ▶ Excellent stability and repeatability
- ▶ Outstanding sensitivity with precise setting
- ▶ High capacity with 5 micron filter
- ▶ Self-relief function to balance output and setting pressures
- ▶ High flow capacity
- ▶ Optional auto-drain (float type)

Specifications

Model	FR-30	FR-31
Port Size	PT(Rc) 1/2, NPT 1/2 PT(Rc) 3/4, NPT 3/4	NPT 1/2 NPT 3/4
Fluid	Air	
Output Pressure Range	0 - 4 bar (60 psi) / 0 - 8 bar (120 psi)	
Max. Supply Pressure	15 bar (225 psi)	
Operating Temperature	-20°C to +70°C	
Supply Air	Filtered compressed, dry and non oiled air (up to 5 micron)	
Gauge Port Size	PT(Rc) 1/8	
Filteration	5 micron	
Housing Material	Aluminum die-cast	Stainless steel 316
Pressure Gauge Material	Stainless steel	
Weight	1.6 kg	3.4 kg

Dimensions



How to Order

FR	Body Material	-	Port Size	Output Pressure Range	Operating Temp.	-	Options

Description	Code	
Body Material	30 : Aluminum die-cast 31 : Stainless steel 316	
Port Size	1 : PT (Rc) 1/2 3 : PT (Rc) 3/4	2 : NPT 1/2 4 : NPT 3/4
Output Pressure Range	1 : 0 - 4 bar (60 psi)	2 : 0 - 8 bar (120 psi)
Operating Temperature	0 : -20 - +70°C 2 : -40 - +80°C	1 : -20 - +120°C
Options	M : Manual drain	A : Auto drain