

Explosion proof solenoid valve for a confident control in rough working environments

Features

- ▶ Rugged aluminum die-cast housing
- ▶ Rotatable valve head for optimal mounting

How to Order

ESV	3	Operating Voltage	Connections (Pneumatic / Electrical)
------------	----------	-------------------	--------------------------------------

Specifications

Model	ESV-3
Orifice Size	Ø 1.7
Working Pressure	0 ~ 7 kgf/cm ²
Operating Voltage : Current	AC 110V / 90mA DC 24V / 200mA AC 220V / 44mA DC 110V / 59mA DC 220V / 53mA
Voltage Tolerance	± 10%
Frequency	50Hz / 60Hz
Explosion Proof Class	Ex d IIC T6
Operating Temperature	-20°C - +60°C
Flow Capacity	145 ℓ/min (6 bar)
Pneumatic Connections	PT(Rc) 1/4 or NPT 1/4
Electrical Connection	PF(G) 1/2 or NPT 1/2
Coil Insulation Grade	Class F *
Duty Cycle	100%
Weight	0.5 kg

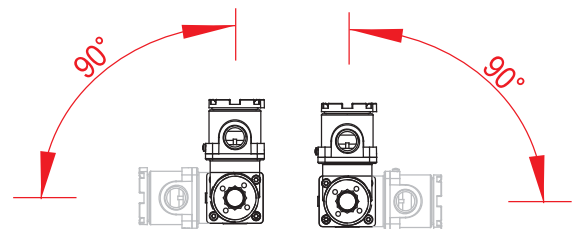
* Class H : On request

Description	Code
Operating Voltage :	A220 : AC 220V A110 : AC 110V D24 : DC 24V D110 : DC 110V D220 : DC 220V
Connections :	P : PT(Rc) 1/4 - PF(G) 1/2 (pneumatic - electrical) N : NPT 1/4 - NPT 1/2

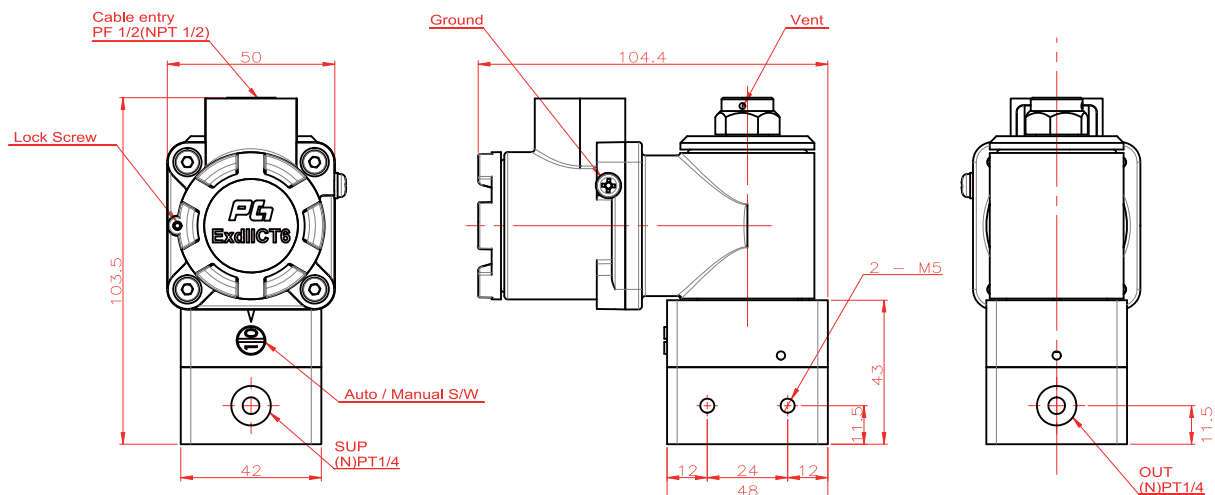
Ex) ESV-3-D24P (3/2 way, 24VDC, Rc 1/4 - G 1/2)

Rotatable Valve Head

The ESV valve head can be rotated by 90° to the right or to the left for an optimal mounting as shown below



Dimensions

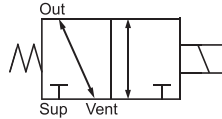


ESV-3S

[3/2 way]

Solenoid Valve

(stainless steel 316 valve body)

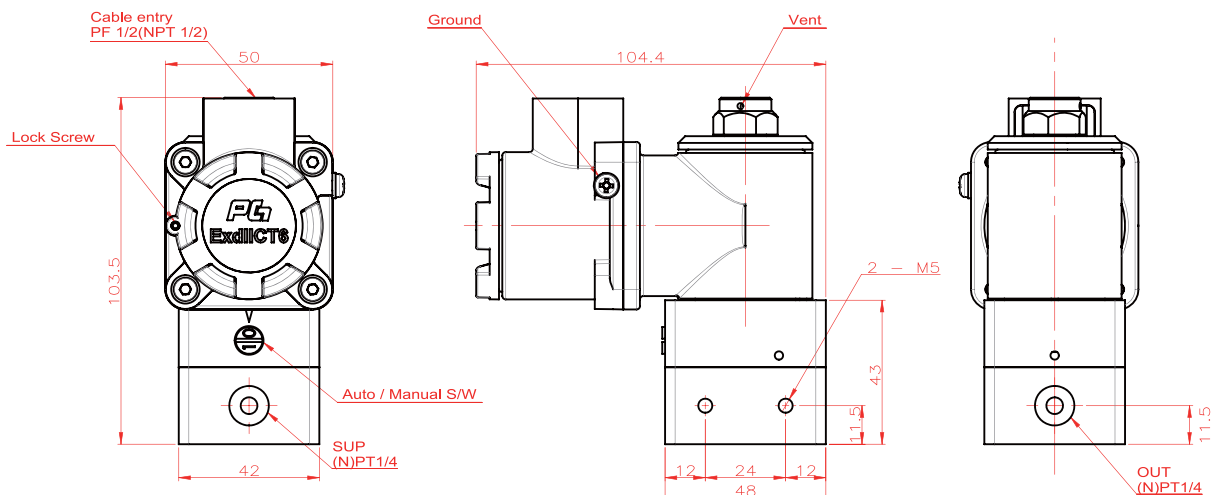


Specifications

Model	ESV-3S
Orifice Size	Ø 1.7
Working Pressure	0 ~ 7 kgf/cm ²
Operating Voltage : Current	AC 110V / 90mA DC 24V / 200mA AC 220V / 44mA DC 110V / 59mA DC 220V / 53mA
Voltage Tolerance	± 10%
Frequency	50Hz / 60Hz
Explosion Proof Class	Ex d IIC T6
Operating Temperature	-20°C - +60°C
Flow Capacity	145 ℓ/min (6 bar)
Pneumatic Connections	NPT 1/4
Electrical Connection	PF(G) 1/2 or NPT 1/2
Coil Insulation Grade	Class F *
Duty Cycle	100%
Weight	0.5 kg

* Class H : On request

Dimensions



Explosion proof solenoid valve for a confident control in rough working environments

Features

- ▶ Stainless steel 316 valve body
- ▶ Rotatable valve head for optimal mounting

How to Order

ESV	3S	Operating Voltage	Connections (Pneumatic / Electrical)
------------	-----------	-------------------	--------------------------------------

Description	Code
Operating Voltage :	A220 : AC 220V A110 : AC 110V D24 : DC 24V D110 : DC 110V D220 : DC 220V
Connections :	P : NPT 1/4 - PF(G) 1/2 (pneumatic - electrical) N : NPT 1/4 - NPT 1/2

Ex) ESV-3S-D24N (3/2 way, 24VDC, NPT 1/4 - NPT 1/2)

Rotatable Valve Head

The ESV valve head can be rotated by 90° to the right or to the left for an optimal mounting as shown below

