

Solenoid Valve

(stainless steel 316 valve body)

ESV-SS

(Single Coil)



 KC /  NEPSI flameproof

Explosion proof solenoid valve for a confident control in rough working environments

Features

- ▶ Stainless steel 316 valve body
- ▶ Convertible from 5/2 way to 3/2 way
- ▶ Rotatable valve head for optimal mounting
- ▶ Direct NAMUR mounting or screw mounting

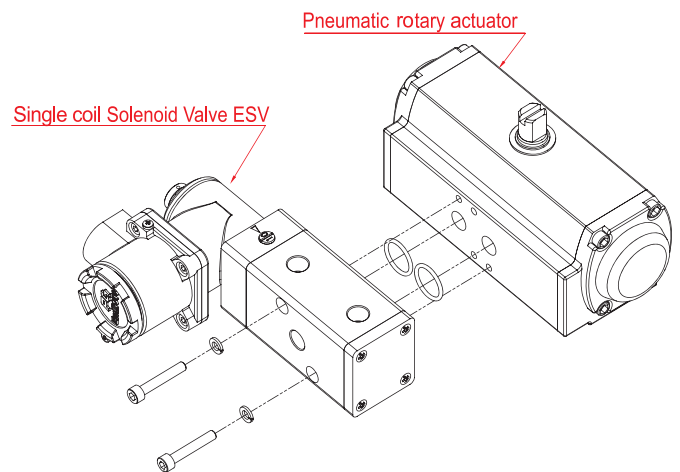
Specifications

Model	ESV-SS
Operating Air Pressure	1.5 - 10 bar
Air Supply (Max.)	15 bar
Operating Voltage : Current	AC 110V : 55 mA AC 220V : 17 mA DC 24V : 138 mA*
Voltage Tolerance	± 10%
Frequency	50Hz / 60Hz
Explosion Proof Class	Exd IIC T6 (KOSHA Cert. No. 2008-1052-Q1)
Operating Ambient Temperature	-20°C - +60°C
Flow Capacity (Cv)	0.9
Mounting Configuration	NAMUR or screw interface
Pneumatic Connections	NPT 1/4 (other on request)
Electrical Connection	PF(G) 1/2 or NPT 1/2
Coil Insulation Grade	Class F **
Duty Cycle	100%
Weight	1.9 kg

* DC 110V, DC 220V : On request

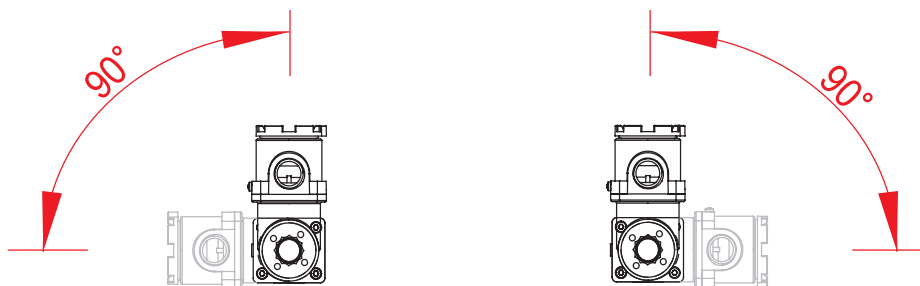
** Class H : On request

Mounting



Rotatable Valve Head

The ESV valve head can be rotated by 90° to the right or to the left for an optimal mounting as shown below



ESV-SS [Single Coil]

Solenoid Valve (stainless steel 316 valve body)

How to Order

ESV

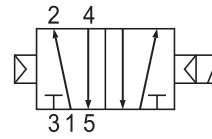
SS

Operating
Voltage

Connections
(Pneumatic /
Electrical)

Description	Code
Operating Voltage :	A220 : AC 220V A110 : AC 110V D24 : DC 24V
Connections : (pneumatic - electrical)	P : NPT 1/4 - PF(G) 1/2 N : NPT 1/4 - NPT 1/2

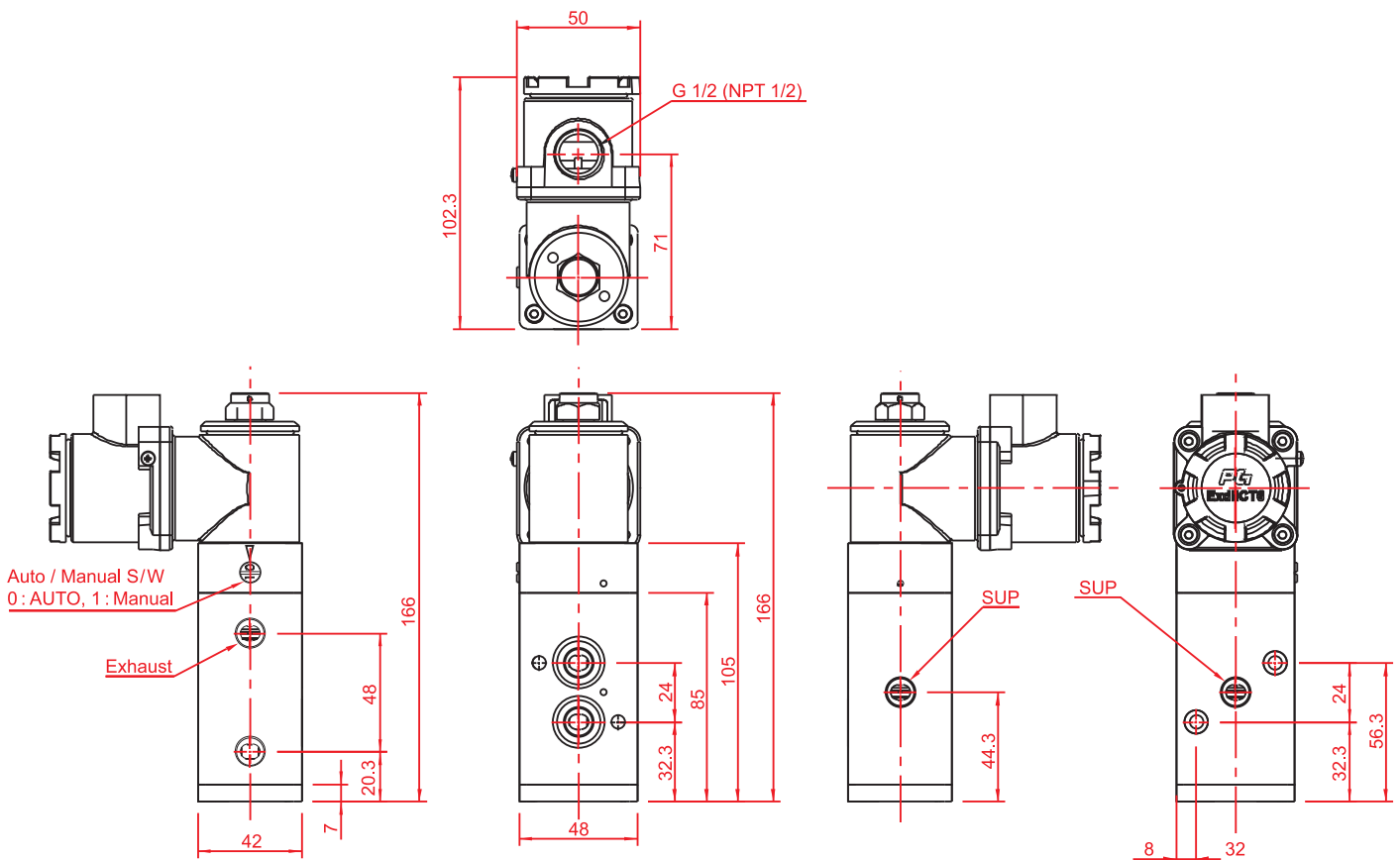
Symbol of Operation



Ex) ESV-SS-D24P (stainless steel 316 valve body, single coil, 24VDC, Rc 1/4 - G 1/2)

Dimensions

Single Coil Type



Solenoid Valve

(stainless steel 316 valve body)

ESV-DS

(Dual Coil)



KC / NEPSI flameproof

Explosion proof solenoid valve for a confident control in rough working environments

Features

- ▶ Stainless steel 316 valve body
- ▶ Convertible from 5/2 way to 3/2 way
- ▶ Rotatable valve head for optimal mounting
- ▶ Direct NAMUR mounting or screw mounting

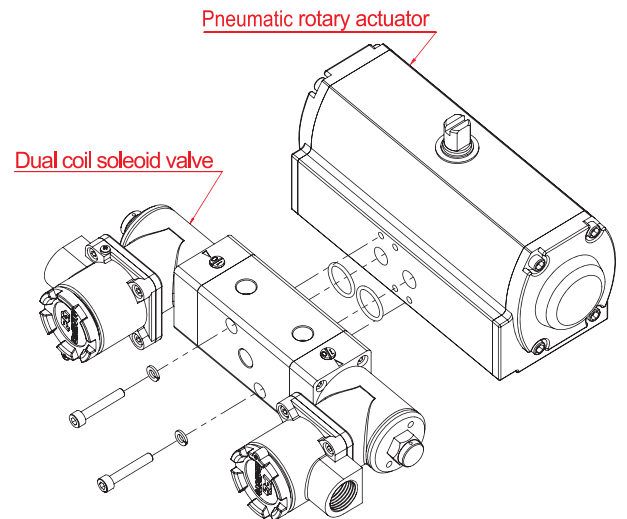
Specifications

Model	ESV-D
Operating Air Pressure	1.5 - 10 bar
Air Supply (Max.)	15 bar
Operating Voltage : Current	AC 110V : 55 mA AC 220V : 17 mA DC 24V : 138 mA*
Voltage Tolerance	± 10%
Frequency	50Hz / 60Hz
Explosion Proof Class	Exd IIC T6 (KOSHA Cert. No. 2008-1052-Q1)
Operating Ambient Temperature	-20°C - +60°C
Flow Capacity (Cv)	0.9
Mounting Configuration	NAMUR or screw interface
Pneumatic Connections	NPT 1/4 (other on request)
Electrical Connection	PF(G) 1/2 or NPT 1/2
Coil Insulation Grade	Class F**
Duty Cycle	100%
Weight	2.5 kg

* DC 110V, DC 220V : On request

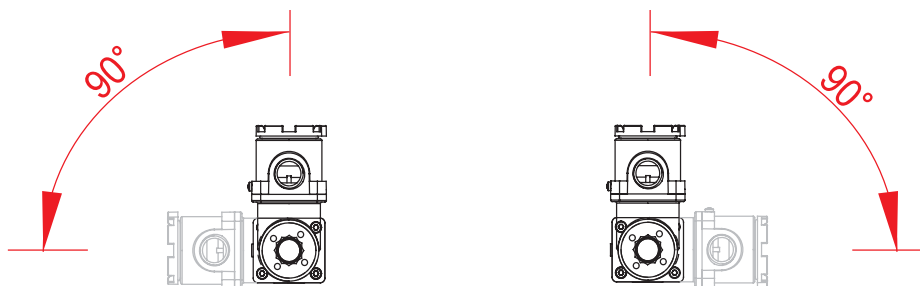
** Class H : On request

Mounting



Rotatable Valve Head

The ESV valve head can be rotated by 90° to the right or to the left for an optimal mounting as shown below



ESV-DS (Dual Coil)

Solenoid Valve (stainless steel 316 valve body)

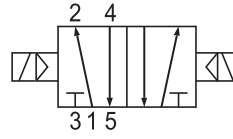
How to Order

ESV	—	DS	—	Operating Voltage	Connections (Pneumatic / Electrical)
------------	---	-----------	---	-------------------	---

Description	Code
Operating Voltage :	A220 : AC 220V A110 : AC 110V D24 : DC 24V
Connections : (pneumatic - electrical)	P : NPT 1/4 - PF(G) 1/2 N : NPT 1/4 - NPT 1/2

Ex) ESV-DS-D24P (stainless steel 316 valve body, dual coil, 24VDC, NPT 1/4 - G 1/2)

Symbol of Operation



Dimensions

Dual Coil Type

